



Flange Alignment Pins

Hands Free Bolting's Flange Alignment Pins compensate for the misalignment of bolt holes. The Flange Alignment Pin is designed with a tapered end, allowing access to offset bolt holes and when simply turned 180° the Pin aligns the two bolt holes together.

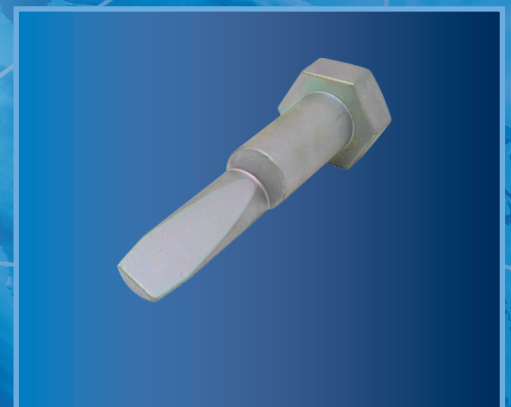
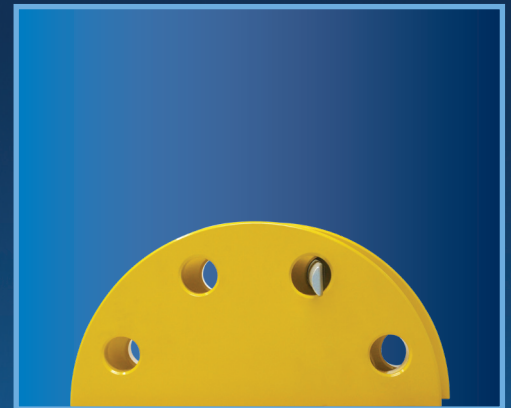
Eliminating the need for a hammer operation, and with a Safety Tether attachment feature, Hands Free Bolting's Flange Alignment Pins increase onsite safety and speed up bolting processes.

Safety Kits – An extra layer of protection

Add the Flange Alignment Safety Kit to ensure that the tool can be tethered, preventing dropped objects.

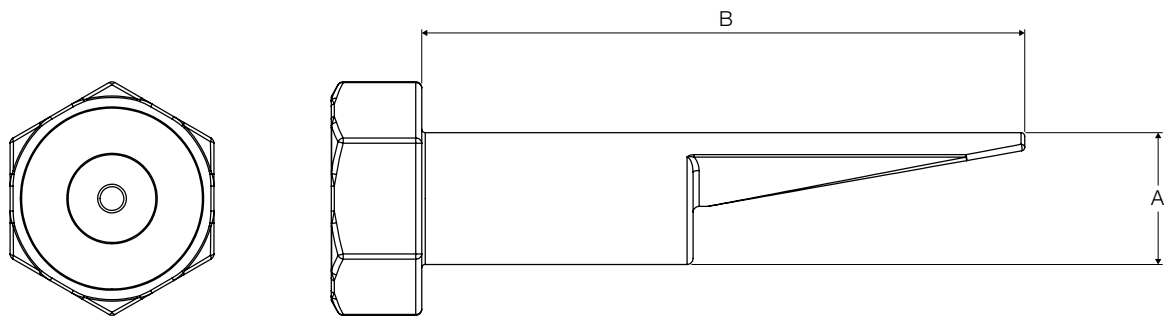
Features and Benefits

- ✓ Dramatically improves operator safety
- ✓ Speeds up the bolting process
- ✓ Eliminates flogging spanners
- ✓ Cost effective safe solution
- ✓ Self-supporting and handsfree
- ✓ Won't lock on during operations
- ✓ Custom Branding available



Technical Information

Model No.	A		B		Weight
	mm	Inch	mm	Inch	Kg
H-103	0.8	$\frac{3}{4}$	80.0	$3\frac{1}{4}$	0.2
H-104	22.2	$\frac{7}{8}$	88.9	$3\frac{1}{2}$	0.3
H-105	25.4	1	101.6	4	0.4
H-106	28.6	$1\frac{1}{8}$	127.0	5	0.6
H-107	31.8	$1\frac{1}{4}$	139.7	$5\frac{1}{2}$	0.9
H-108	34.9	$1\frac{3}{8}$	158.8	$6\frac{1}{4}$	1.1
H-109	38.1	$1\frac{1}{2}$	165.1	$6\frac{1}{2}$	1.5
H-110	41.3	$1\frac{5}{8}$	184.1	$7\frac{1}{4}$	1.9
H-111	44.4	$1\frac{3}{4}$	200.0	$7\frac{7}{8}$	2.3
H-112	47.6	$1\frac{7}{8}$	212.7	$8\frac{3}{8}$	2.8
H-113	50.8	2	228.6	9	3.5



PLEASE NOTE: Figures provided are for guidance only, please refer to individual tool charts. All data is given in good faith and without acceptance of responsibility on the part of HTL.

GLOBAL EXCELLENCE IN CONTROLLED BOLTING



Gee-Force,
Unit 12 Blackfriars Court,
Beacon Business Park,
Great Yarmouth, Norfolk,
NR31 7RQ

Telephone: +44 (0) 1493 603 797

Email: sales@gee-force.co.uk

Visit: www.gee-force.co.uk

